

Adjustable Wall Indicator Post

FIG. F0800-WP

Specifications

- Meet or Exceed the Requirements of NFPA 24 Standard.
- Indicates the State of the Valve OPEN or SHUT Position.
- Target Nut to allow 13 to 45 Turns.
- Protected Windows.
- Telescoping Operating Rod.
- Easily Adjustable Indicator OPEN and SHUT Targets.
- UL/ULC 789 Listed.
- GOST Certification.

Corrosion Protection

- Spray Painted Interior and Exterior meet or exceed all applicable of AWWA C550 Standard.
- Stand Barrel: Black Bitumen Coated.

Options

- Fusion Bonded Coating Interior and Exterior.
- Stainless Steel Fasteners: A2-70 or A4-70.
- Sleeve Pipe optional.

Material Specifications

Part	Material	ASTM Specification
Post Head	Gray Cast Iron	A126 Class B
Operating Wrench	Ductile Iron	A536 Grade 65-45-12
Retaining Ring	Stainless Steel	A276 Type 304
Weather Cap	Polyethylene	Commercial
Threaded Sleeve	Stainless Steel	A276 Type 304
Pipe Plug	Malleable Iron	A47 Grade 22010
Target Plate	Aluminum Alloy	B26
Screw	Carbon Steel	A105
Windows	Plexiglass	Commercial
Gasket	Rubber	D2000 NBR
Upper Rod	Carbon Steel	A53 Type S Grade B
Lower Rod	Carbon Steel	A53 Type S Grade B
Cotter Pin	Stainless Steel	A276 Type 304
Crane Coupling	Carbon Steel	A53 Type S Grade B

Schematic

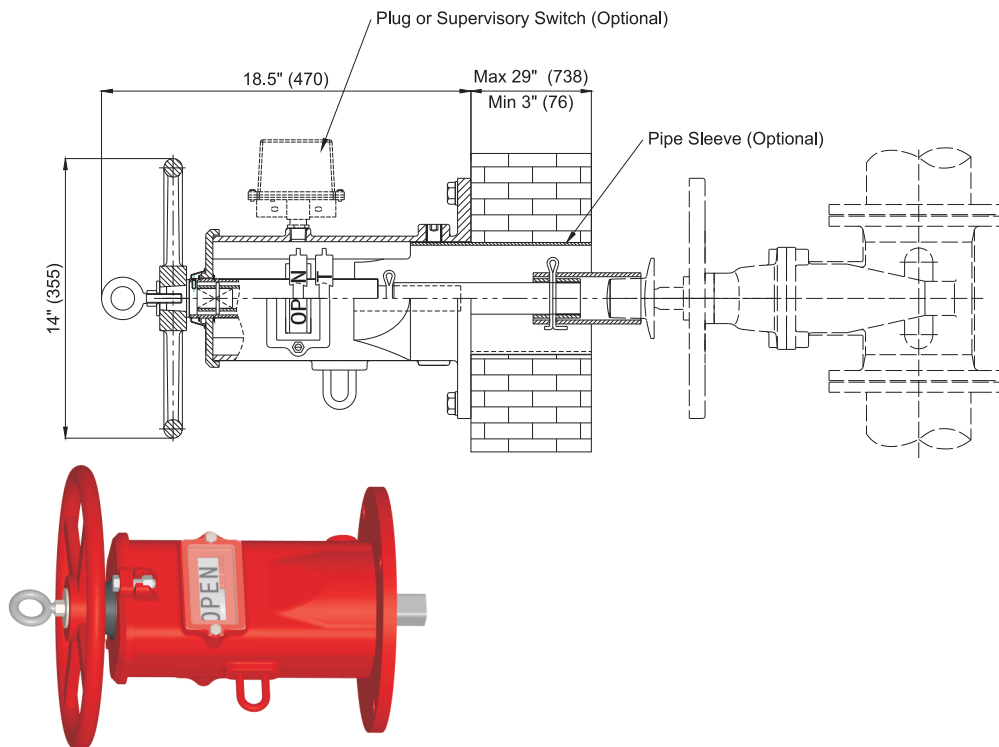


FIG. F0800-WP (Size 4" to 14")

Filed Adjustment

- Remove the Post Head to adjust OPEN and SHUT Signs as required.
- Adjust Telescoping Rod and Pipe to Desired Length.
- Re-attach the Post to the Post Tlange on the Valve

Notes

- *Designs, materials and specifications shown are subject to change without notice due to the continuous development of our products.*